

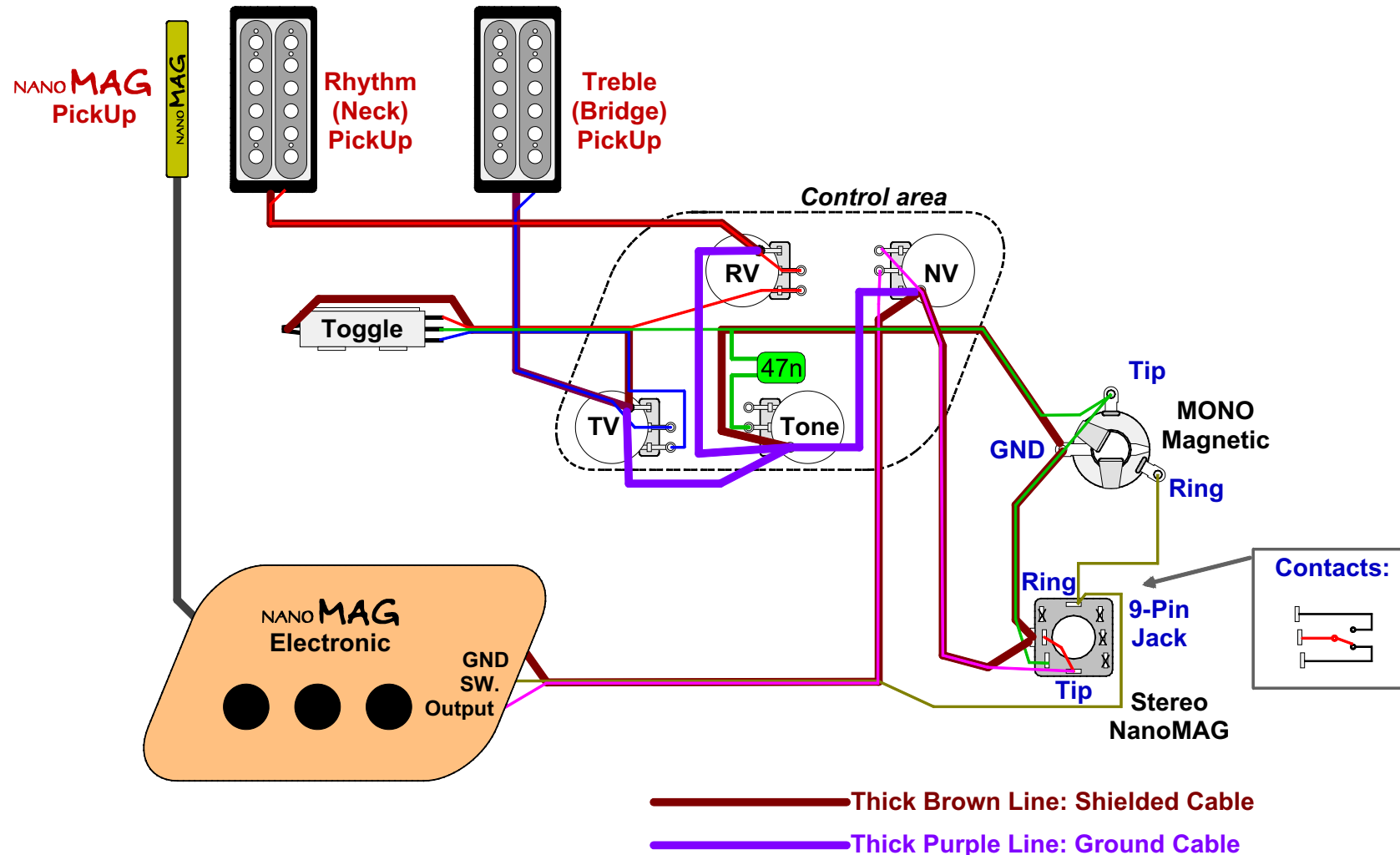
SH NMG LPU2 - Wiring

Example for LP style guitars:

- Separate controls (*Without included control board*)

Shadow[®]

professional pickups since 1971



Specifications subject to change without notice - All rights reserved
© Shadow Electronics - <http://www.shadow-electronics.com>

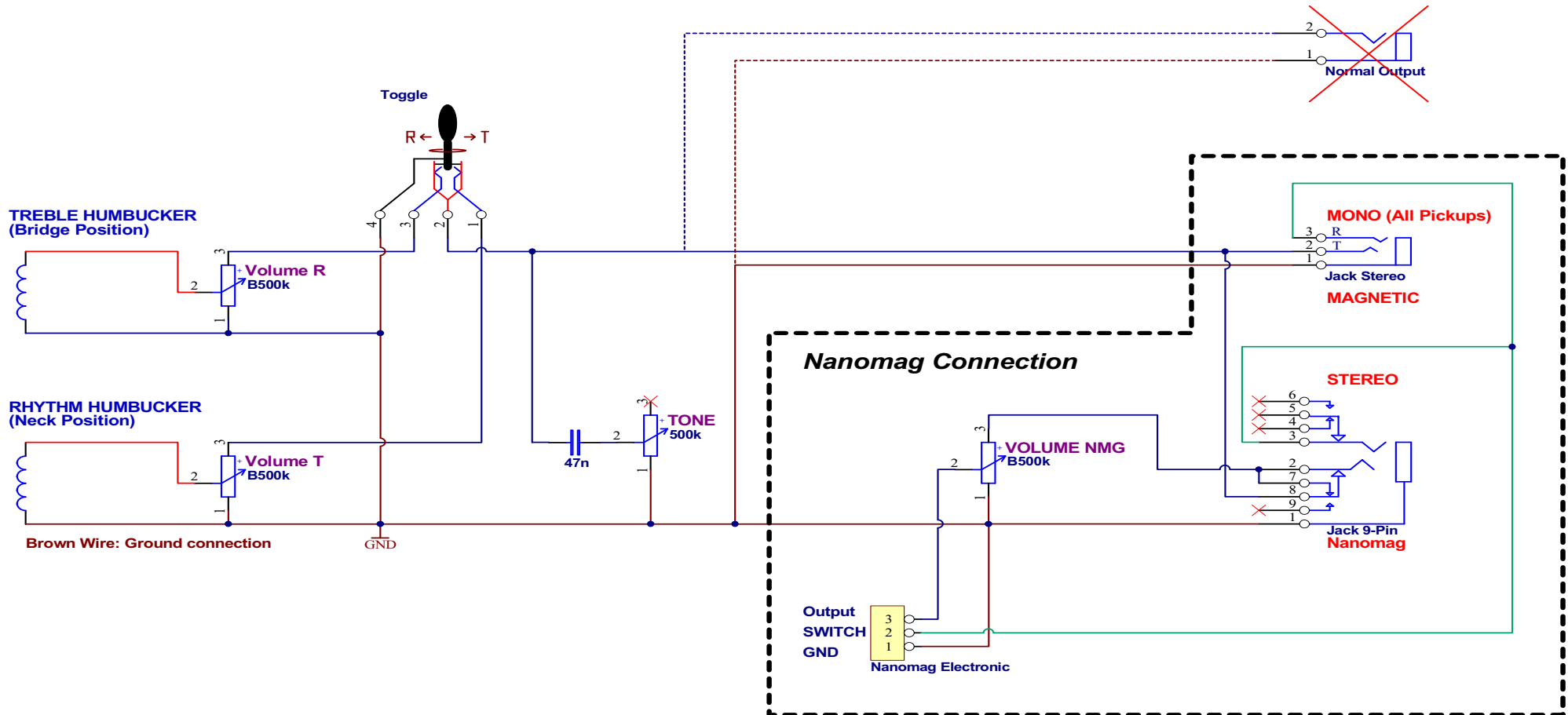
SH NMG LPU2 - Wiring

Schematics:

- Example for LP style guitars

Shadow[®]

professional pickups since 1971



SH NMG LPU2 - Wiring

Example:

- Solder pickups to the control-board (*included*)

Shadow[®]

professional pickups since 1971

Connection: (White Imprint on control board)

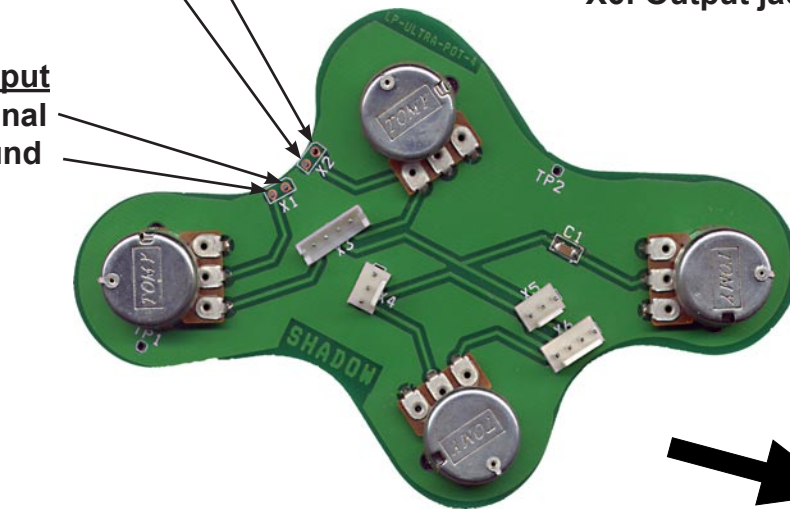
- X1: Treble pickup (Bridge position)
- X2: Rhythm pickup (Neck position)
- X3: Toggle switch
- X4: From NanoMAG electronic
- X5: Output jack (Mono)
- X6: Output jack (Stereo)

Pickup input

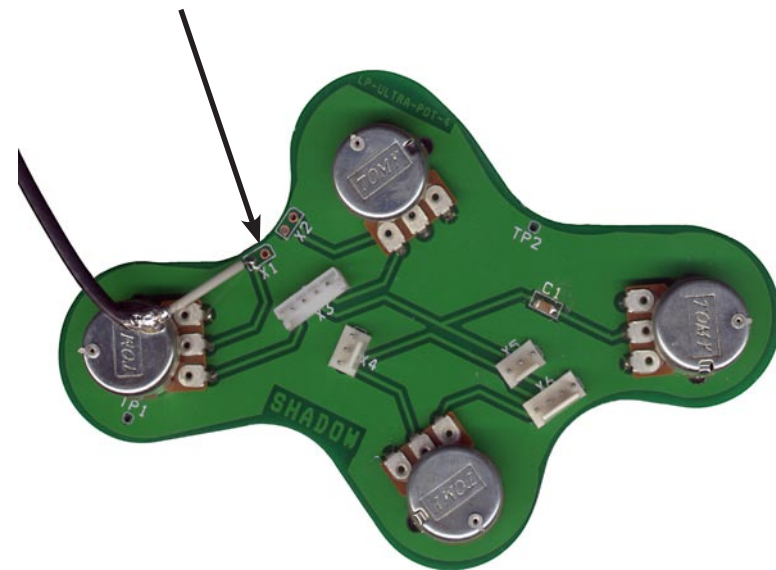
Signal
Ground

Pickup input

Signal
Ground



Solder pickups as shown in the picture
(Treble pickup example with 1 shielded output cable)
If your pickup has a separate ground-connection,
solder it next to the output cable. This is ground, too!



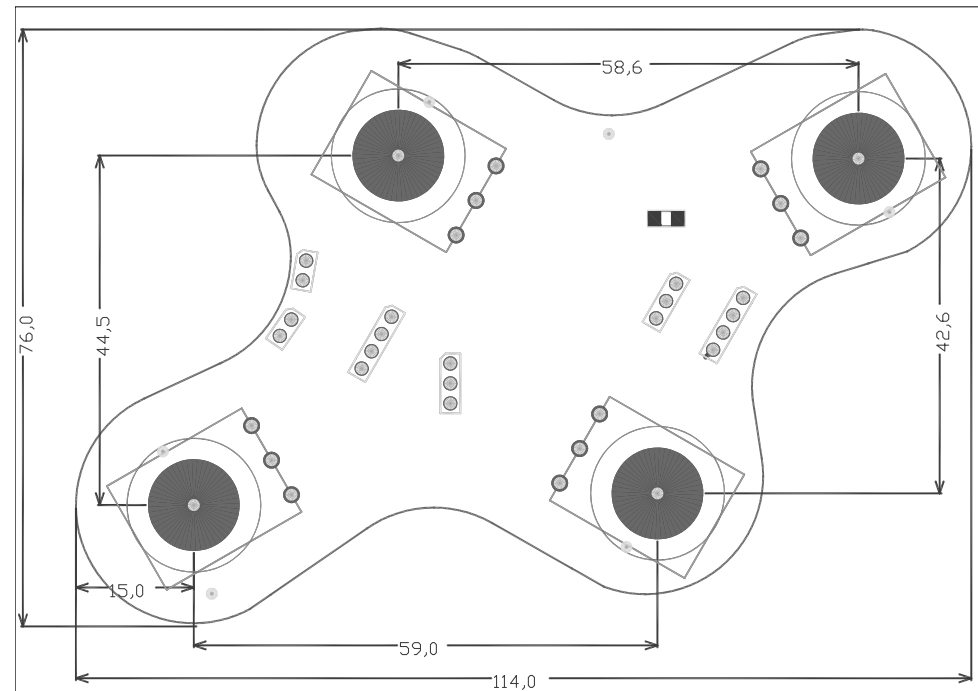
SH NMG LPU2 - Wiring

Technical information:

Shadow[®]

professional pickups since 1971

Control board - dimension [mm]



SH NMG LPU2 - Wiring

Technical information:

Shadow[®]

professional pickups since 1971

